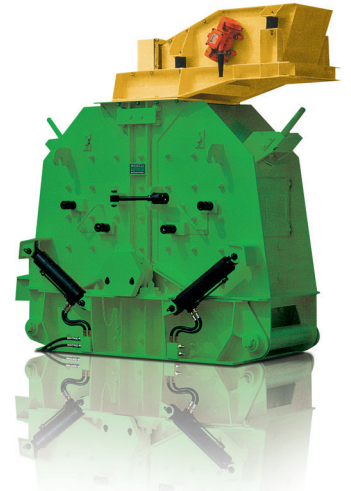


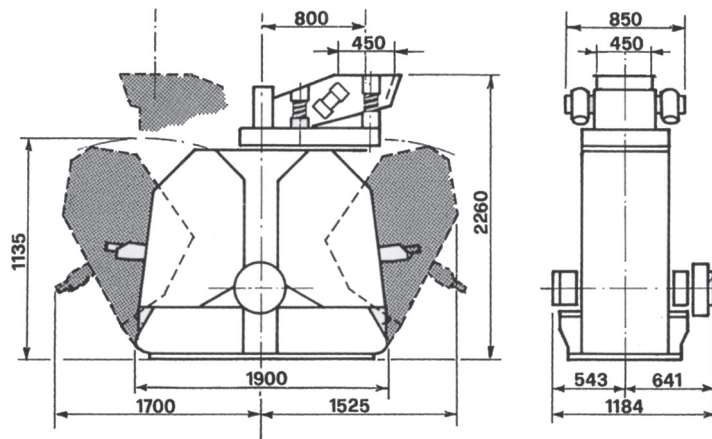
SERIE

SAND

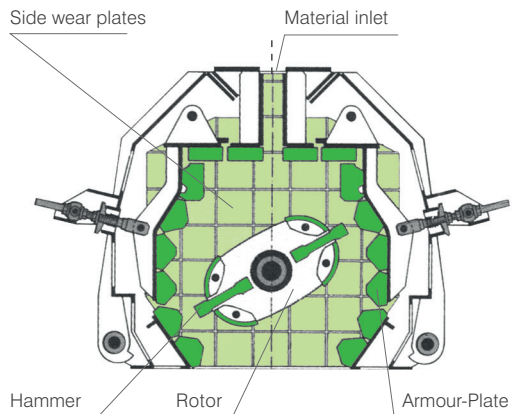
IMPACT CRUSHERS FOR SAND



Dimensions and Features of the "SAND" impact crushers						
	Feeding size up to mm	Output t/h	Hammers n°	Required power kW	Weight of each hammer Kg	Weight of the machine Kg
SAND 1	35	40 ÷ 60	2	90 ÷ 110	58	5000
SAND 2	50	40 ÷ 60	2	90 ÷ 110	83	5350

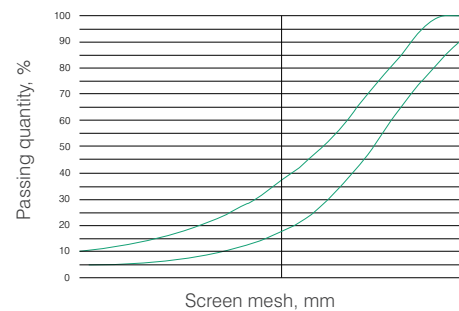


MAIN COMPONENTS



AVERAGE OUTPUT DISTRIBUTION

obtained with various materials in different working conditions, in open cycle as well as in closed cycle.



COLOUR

COMEC offers the opportunity to customize both your equipment and production lines with your desired colours, in order to support your own corporate design.

Features and sizes are not binding and Comec-Binder S.r.l. reserves to effect modifications or improvements for commercial and technical reasons at any moment and without notice.